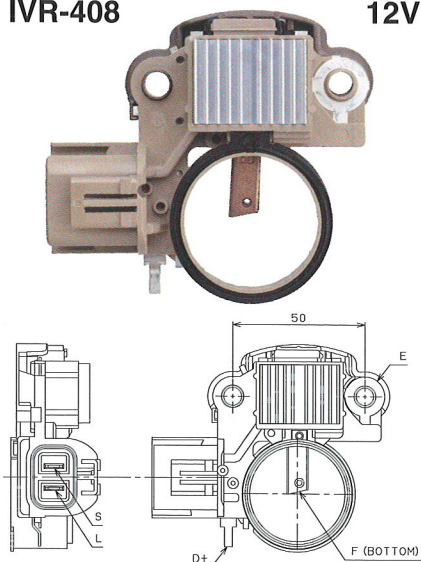
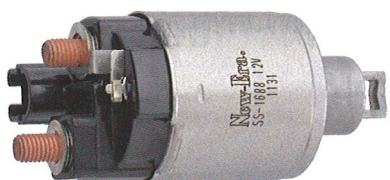
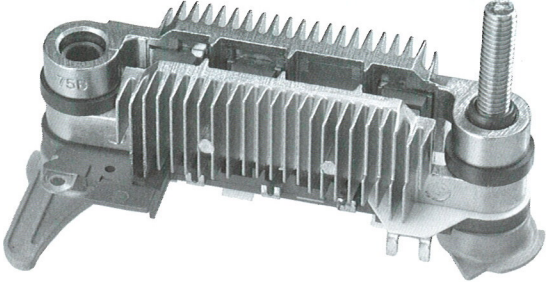
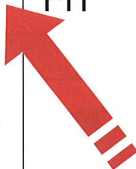


NEW PRODUCTS NP-189

| Illustration | Ref. No. | Application | On Sale |
|---|---|--|-----------------------|
| <p>IVR-408 12V</p>  <p>50PCS./CARTON CARTON SIZE 44×44×15cm (0.02904m³) G/W: 4.9kg</p> | <p>37370-47300 37370-47301</p> <p>ALTERNATOR 37300-42353 37300-42355 37300-42356 37300-42451</p> | <p>HYUNDAI STAREX LIBERO</p> | <p>NOV.'10</p> |
| <p>SS-1688 12V</p>  | <p>28226-22061 (028099-9791)</p> <p>STARTER 12V 1.3KW 28100-74320 (428000-0590) (428000-0591) (428000-0592) 28100-74321 (428000-0593) 28100-31060 (428000-2330) 28100-31080 (428000-3030)</p> <p>12V 1.6KW 28100-0D080 (428000-0341) 28100-22090 (428000-1310)</p> <p>12V 1.7KW 28100-31070 (428000-2340)</p> | <p>TOYOTA CROWN MARK X COMFORT VOLTZ</p> <p>GRS180.181 (4GR-FSE) '03~ GRS182,183 (3GR-FSE) '03~ GRX120,125 (4GR-FSE) '04~ GRX121 (3GR-FSE) '04~ SXS13Y (3S-FE) '01~ ZZE136,138 (1ZZ-FE) '02~'04 ZZE137 (2ZZ-GE) '02~'04</p> | <p>JAN.'11</p> |

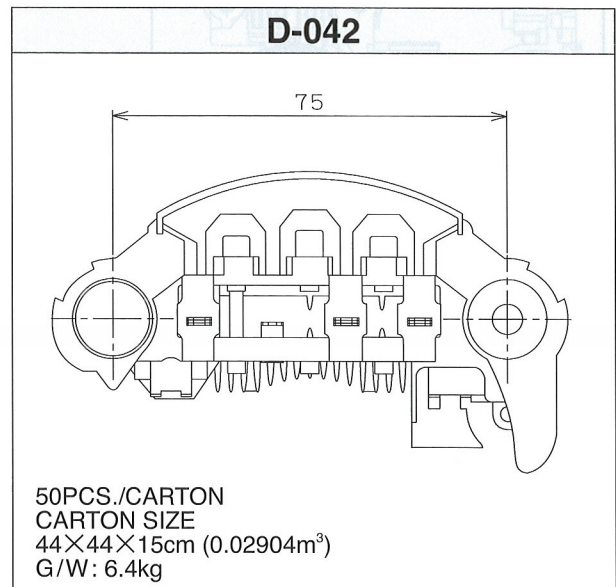
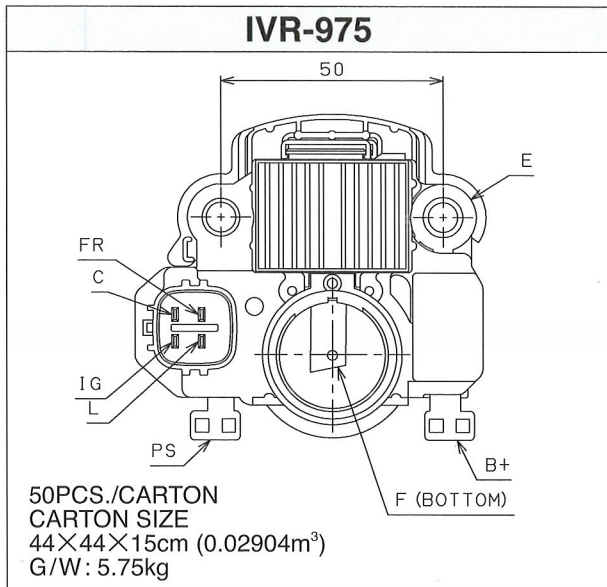
<http://www.newera.co.jp/>

ADDITIONAL APPLICATION

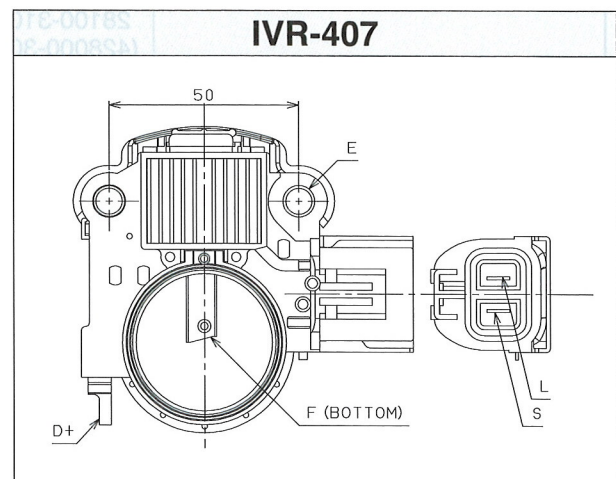
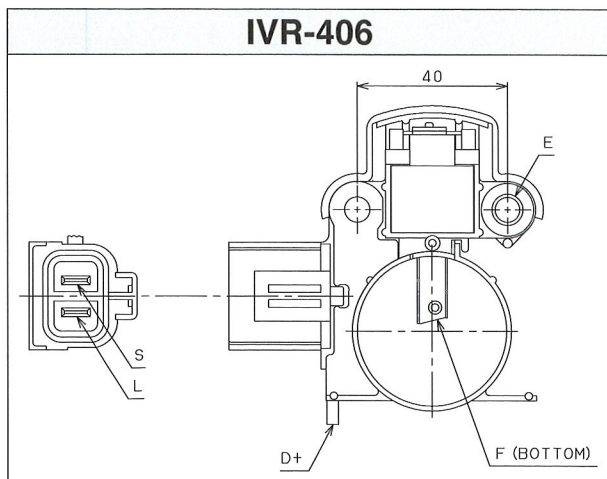
| | | |
|--|---|--|
| <p>D-042</p> <p style="text-align: right; margin-right: 20px;">12V</p>  | <p>31127-RSH-004 31127-PWA-004</p> <p>ALTERNATOR 12V 80A 31100-RSH-004 (A005TB1391)</p> | <p>HONDA JAZZ FIT</p>  |
|--|---|--|

Communication Site **No.368** (August. 2010)

DRAWING



Communication Site **No.368** (August. 2010)



Communication Site **No.369** (September. 2010)