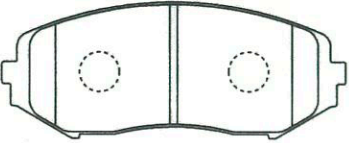
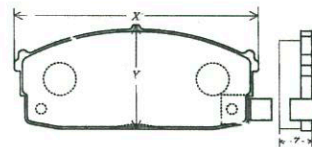
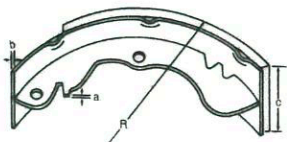


# NEWS

NO.07-E14  
NOV, 2007

DISC PAD

NO.	APPLICATION	
<p><b>D9044</b></p> <p>( 55200-65J00 ) ( 55200-65J01 )</p>	<p>SUZUKI ESCUDO TD54W May. '05~</p>  <p>X : 138.0 Y : 50.0 Z : 16.0</p>	<p>Front (AVAILABLE FROM MAR'08) FMSI No.D1188</p>



 **MK KASHIYAMA CORP.**